

LPK Capsule

(No filter housing required)

Major Applications

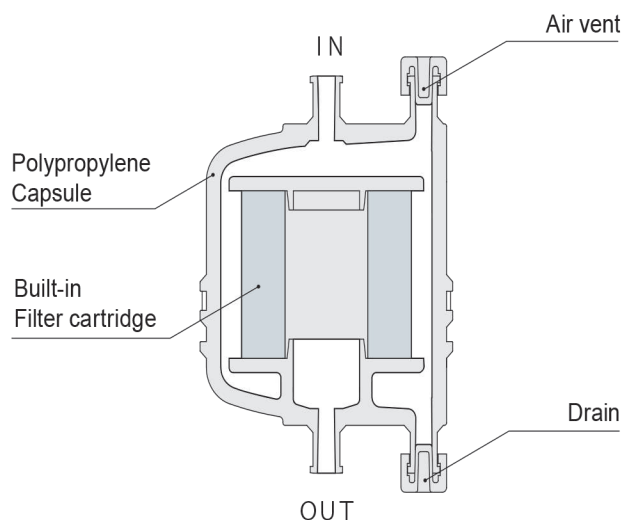
- Digital ink-jet printer applications
- UV protection-required fluid applications
- Others



Features & Benefits

- **Suitable for filtration of fluid of which physical properties may change in UV**
 - Capsule does not transmit ultraviolet rays.
- **Suitable for filtration of rare material due to the optimized design to make liquid loss minimal**
- **Selectable from pleated filters and depth pleated filters as built-in filter**
 - Built-in filters can be selected from many types of ROKI TECHNO products
 - Built-in filters and capsules are all heat welded without using adhesive.

Internal structure



Built-in available filters



MPX Type

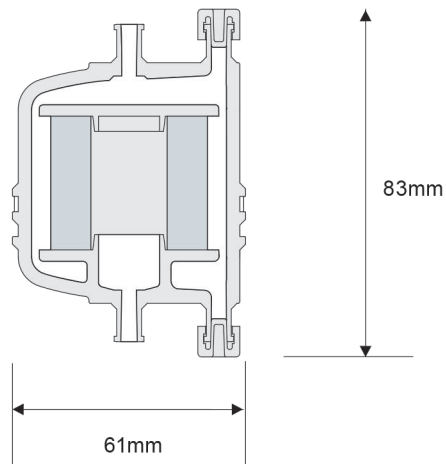
High flow rate is obtained at low differential pressure. Capture target particles can be removed in the surface filter media.




SHP Type

Composite filter of both pleated and depth, thus, filtration life is long and suitable for the removal of the gel-like foreign matter.

Dimension



Port Configuration

Configuration	
Code	-
IN/OUT	Luer Lock
IN/OUT Tube	-
Air vent / Drain	Luer Lock
Air vent / Drain Tube	-

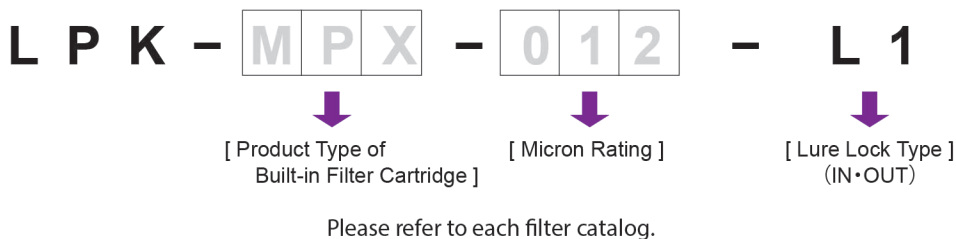
*Fittings for the capsule are not included.

Specification

Product Type		LPK
Built-in filter length (mm)		44
O.D. of capsule (mm)		φ61
Materials Media	Filter	Refer to each filter catalog
	Capsule	Polypropylene
	Vent Cap	Nylon
Maximum ΔP (MPa) at 20°C (68°F)		0.65 (6.5bar, 94psid)
Maximum Operating Temp. (°C)		60 (104°F)

* Please contact us for further information on specifications.

Ordering Information



Manufacturing is based on our Quality Management Systems that meet ISO9001 standards.



Scope: Design, Development, manufacture, and sales of filter cartridges, housings and filtration equipment.

*The contents of the catalog are subject to change without notice.



Distribuidor Oficial España | Avenida Cerdanyola, 92-94 Local B4 | 08173 - Sant Cugat del Vallès - Barcelona
Tel: 935921554 | Email: comercial@gesfilter.com | www.gesfilter.com